

## QUALITY TOOLS FOR PROFESSIONALS

### MICRO TORQUE WRENCHES

2170GN - 8170GN



6175GN



All micro torque wrenches with serial numbers and certificate

Tolerance < 4%

6175GN in 2 parts:

Micro torque wrench + extension tube

Delivery in blow case

DRIVE	RANGE	L	ITEM-NO	PRICE €
1/4"	6 - 30NM	350mm	2170GN	67,40
3/8"	6 - 30NM	350mm	3170GN	67,40
3/8"	19 - 110NM	385mm	3171GN	69,60
1/2"	40 - 210NM	535mm	4170GN	82,60
1/2"	70 - 350NM	645mm	4171GN	113,10
3/4"	100 - 500NM	865mm	6170GN	187,30
3/4"	140 - 700NM	1092mm	6171GN	456,50
3/4"	140 - 980NM	1230mm	6173GN	586,90
3/4"	300 - 1.500NM	1700mm	6175GN	798,00
1"	140 - 980NM	1230mm	8170GN	586,90



Also available for left/right measurement

### 3/4" - SOCKET SETS

picture of 6616



#### 3/4" - 6-POINT SOCKET SETS

Ratchet handle 6120N (500mm), 24 teeth

Sockets 6400M: 22-24-27-30-32-36-38-41-46-50mm

Extension bar 6800: 100mm + 200mm, sliding handle 6770 (500mm)

14-pcs in metal case 534x178x78mm

ITEM-NO PRICE €

6614 192,50

Ratchet handle 6100NQ (500mm) Quick release, 24 teeth

Sockets 6400M: 24-26-27-30-32-35-36-38-41-46-50-55-60mm

Extension bar 6800: 200mm, Sliding handle 6770 (500mm)

16-pcs in metal case 534x178x78mm

6616 242,70

Ratchet handle 6100NQ (500mm) Quick release

Sockets 6400M: 19-21-22-23-24-27-30-32-36-38-41-46-50mm

Extension bar 6800: 100mm + 200mm, Sliding handle 6770 (500mm)

17-pcs in metal case 534x178x78mm

6617 217,10

### 3/4" - IMPACT SOCKETS

#### 6-POINT-IMPACT SOCKETS

picture of 86609M



#### 6-POINT-IMPACT SOCKETS IN METAL CASE

86400M: 24-27-29-30-32-33-36-38mm

Deep sockets 86300M: 22-24-27-30-32-33-36-38mm - L=90mm

8-PCS

ITEM-NO PRICE €

86609M 96,20

86608M 174,80

#### 6-POINT-IMPACT SOCKETS IN BLOW CASE 3/4"-DRIVE

17-19-20-21-22-23-24-27-30-31-32-33-34-35-36-37-38-40-41-45-46-48-50-54-55-57-60mm

27-PCS

86627 332,60



RECOMMEND PRICES WITHOUT VAT

**1" - IMPACT SOCKETS**  
**6-POINT-IMPACT SOCKETS**  
picture of 88609M

	ITEM-NO	PRICE €
<b>6-POINT-IMPACT SOCKETS IN METAL CASE</b> 88400M: 27-30-32-35-36-38-41-46-50mm 9-PCS	88609M	207,40
<b>6-POINT-DEEP IMPACT SOCKETS IN METAL CASE L=90mm</b> 88300M: 27-30-32-33-35-36-38-41mm 8-PCS	88610M	215,20
<b>6-POINT-THINN WALL DEEP IMPACT SOCKETS IN METAL CASE L=80mm</b> 88304M: 27-30-32-33-35-36-38-41mm 8-PCS	88611M	188,70



DOWNLOAD OUR GERMAN  
CATALOGUE 2013 (~ 40 MB):



SIZE mm	D mm	L mm	ITEM-NO	PRICE €
24	38	80	88304M24	21,60
27	41	80	88304M27	21,60
30	45	80	88304M30	21,60
32	48	80	88304M32	21,60
33	49	80	88304M33	21,60
34	50	80	88304M34	21,60
35	51	80	88304M35	21,60
36	53	80	88304M36	21,60
38	55	80	88304M38	23,80
41	58	80	88304M41	24,70

SIZE	ITEM-NO	PRICE €
E18	8841018	20,10
E20	8841020	20,10
E22	8841022	21,60
E24	8841024	21,60

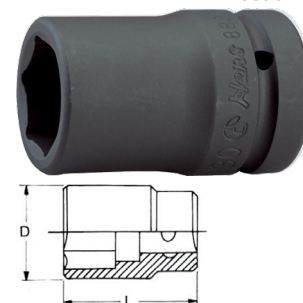
	ITEM-NO	PRICE €
<b>1/2" - INJECTOR SOCKET - L=72mm</b> MAN + DB-TRUCKS	4341	23,20

<b>CIRCLIP PLIERS 90° BENT</b>		
INTERNAL L=500mm    Ø 4,5 - 5,5mm	185620	86,90
EXTERNAL L=500mm    Ø 4,5 - 5,5mm	185720	86,90

<b>CIRCLIP PLIERS STRAIGHT</b>		
INTERNAL L=500mm    Ø 4,5 - 5,5mm	185020	86,90
EXTERNAL L=500mm    Ø 4,5 - 5,5mm	185120	86,90

<b>HEAVY DUTY RIVETER</b> L=460mm Sizes 3,2mm - 4,0mm - 4,8mm - 6,4mm	1972	43,60
---	------	-------

**THINN WALL DEEP IMPACT SOCKETS 1"-DRIVE**  
**FOR TRILEX-WHEELS**  
88304M



**1" - E-STAR IMPACT SOCKETS**  
88410 - L=60mm



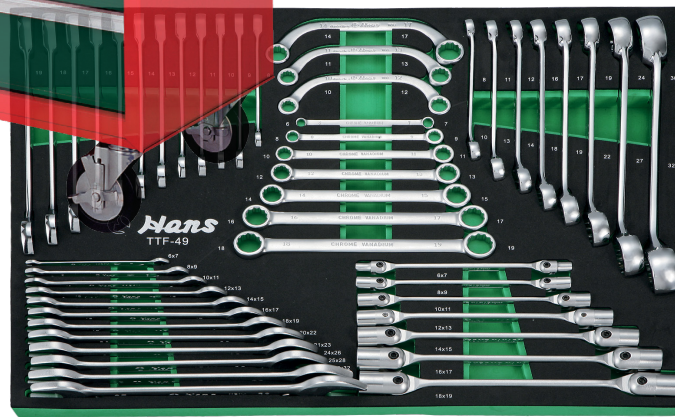
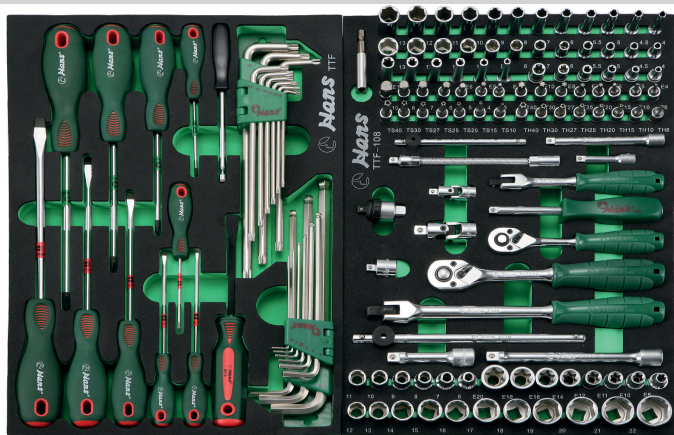
4341





**PREMIUM-COMPLETE SET 1/4" - 3/8" - 1/2" - 3/4" WITH TOOL WAGON**  
520-pcs tool set with appropriate tool wagon and bi-colour tray  
Details on following pages

ITEM-NO	PRICE €
GTT520X	2.998,00





Slotted screwdriver 3 x 75mm - 3,5 x 100mm  
4 x 100mm - 5 x 125mm - 6 x 150mm - 8 x 175mm  
PHILIPS screwdriver PH0 x 75mm - PH1 x 100mm  
PH2 x 125mm - PH3 x 150mm  
Pry bar 200mm  
Magnetic pick up tool  
T-STAR key wrench long  
T10 - T15 - T20 - T25 - T27 - T30 - T40 - T45 - T50  
HEX ball key wrench long  
1,5 - 2,0 - 2,5 - 3,0 - 4,0 - 5,0 - 6,0 - 8,0 - 10mm  
Tray 410mm x 290mm



Combination pliers 1820-7, LONG nose pliers 1830-8  
Bent nose pliers 45° 1831-8, HD cutting pliers 1843-7  
Waterpump pliers 250mm 1890-10, Locking pliers 1804-10  
Pin punch 3 - 4 - 5 - 6mm  
Taper punch 2 x 10 x 185mm, 3 x 10 x 185mm, 4 x 10 x 185mm  
Chisel 18 x 190mm, 24 x 220mm  
Locksmith hammer fiberglass 500g  
Sledge hammer fiberglass 1.000g  
Measurement tape length 5,5m, width 25mm  
Retractable bi-locking cutter  
Flat-, Round-, Triangular- & Half round-File 200mm  
Tray 580mm x 410mm



3/4" - Socket set 12-point  
17-19-21-22-23-24-27-30-32-33-34-35-36-38-41-46-50mm  
Ratchet handle quick release L=500mm  
Universal joint, Ratchet adaptor  
Adaptor 3/4"->1", 3/4"->1/2" with spare square  
Extension bar 100mm, 200mm, 400mm quick release  
Sliding bar 500mm  
Flexible handle 475mm  
L-Handle 300mm + 475mm  
Spare square 1/2"  
Tray 580mm x 410mm



Combination wrench  
6 - 7 - 8 - 9 - 10 - 11 - 12 - 13 - 14 - 15 - 16 - 17 - 18 - 19 - 20  
21 - 22 - 23 - 24 - 25 - 26 - 27 - 28 - 29 - 30 - 32 - 33  
34 - 36 - 38mm  
Combination wrench short  
8 - 9 - 10 - 11 - 12 - 13 - 14 - 15 - 16 - 17mm  
Tray 580mm x 410mm





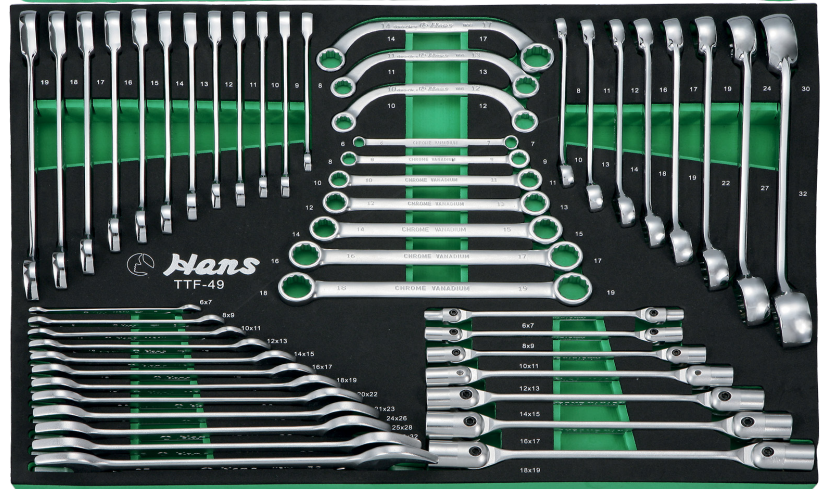
3/4" - Impact sockets  
17-19-21-22-23-24-27-28-30-32-33-34-36-38-41-46mm  
Deep impact sockets L=90/95mm  
19-21-22-23-24-27-30-32-33-34-36-38-41-46mm  
Extension bar 150mm und 250mm  
Ball joint 110mm  
Adaptor 3/4"->1", 3/4"->1/2"  
Spare square 1/2"

Tray 580mm x 410mm



Open ring wrench 1105M  
8x10, 11x13, 12x14, 16x18, 17x19, 19x22, 24x27, 30x32mm  
Double flex socket wrench 1142M  
6x7, 8x9, 10x11, 12x13, 14x15, 16x17, 18x19mm  
Gear ring open end wrench 72teeth 1165M  
8 - 9 - 10 - 11 - 12 - 13 - 14 - 15 - 16 - 17 - 18 - 19mm  
Starter & block wrench 1108M  
10x12, 11x13, 14x17mm  
Double open end wrench 1151M  
6x7, 8x9, 10x11, 12x13, 14x15, 16x17, 18x19, 20x22, 21x23  
24x26, 25x28, 27x32mm  
Flat double open end wrench 11050M  
6x7, 8x9, 10x11, 12x13, 14x15, 16x17, 18x19mm

Tray 580mm x 410mm



1/2" - Socket set 6-point  
8, 9, 10, 11, 12, 13, 14, 15, 16, 17, 18, 19, 20, 21, 22, 23, 24  
25, 26, 27, 28, 29, 30, 32mm  
Deep socket L=80mm  
8, 9, 10, 11, 12, 13, 14, 15, 16, 17, 18, 19, 20, 21, 22, 23, 24  
25, 26, 27, 28, 29, 30, 32mm  
E-STAR: E10, E11, E12, E14, E16, E18, E20, E24  
5-STAR: TS10, TS15, TS20, TS25, TS27, TS30, TS40  
HEX bit socket: 6, 7, 8, 10, 12, 14, 17mm  
T-STAR: T30, T40, T45, T50, T55, T60, T70  
XZN(12-point) L=100mm: M5, M6, M8, M10, M12  
RIBE L=100mm: M8, M10  
Spark plug socket 16 + 20,8mm, Extension bar 125 + 250mm  
Ratchet handle 72 teeth/5° quick release  
Adaptor 1/2"->3/4", 1/2"->3/8", Flexible handle 380mm  
Sliding bar handle 300mm, Ratchet adaptor

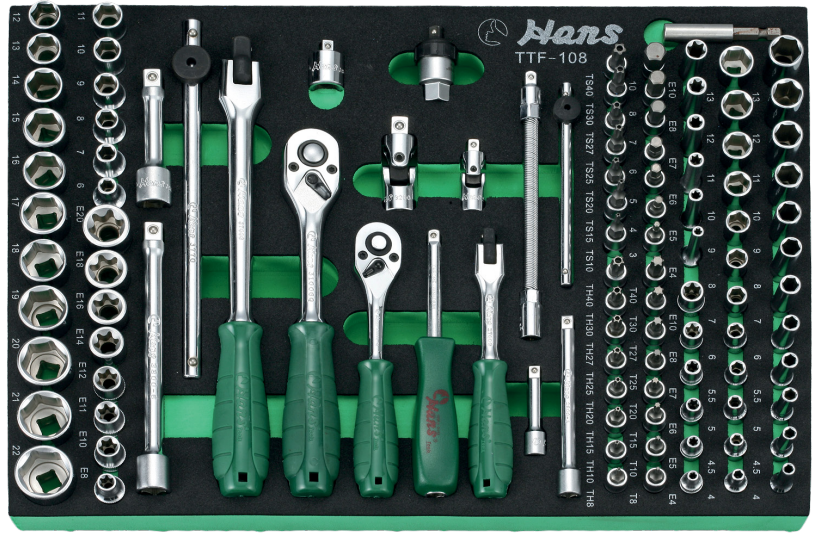


3/8" und 1/2" - Impact sockets  
1/2" - 6-point: 8, 10, 11, 12, 13, 14, 15, 16, 17, 18, 19, 20, 21  
22, 23, 24, 26, 27, 28, 29, 30, 32mm  
1/2" - Deep impact sockets: 10, 11, 12, 13, 14, 15, 16, 17, 18,  
19, 20, 21, 22, 23, 24, 27, 30, 32mm  
1/2" - Extension bar 75, 125, 250mm, 1/2" - Ball joint  
Adaptor 1/2"->3/4", 1/2"->3/8", 3/8"->1/2", 3/8"->1/4"  
3/8" - Extension bar 75, 125mm, 3/8" - Bit holder  
3/8" - 6-point: 8, 10, 11, 12, 13, 14, 15, 16, 17, 19mm  
3/8" - Deep impact sockets: 8, 10, 11, 12, 13, 14, 16, 17, 19mm  
1/4" - E-STAR: E4, E5, E6, E7, E8, E10, E11, E12  
3/8" - E-STAR: E5, E6, E7, E8, E10, E11, E12, E14, E16  
1/2" - E-STAR: E10, E11, E12, E14, E16, E18, E20, E22, E24  
1/2" - HEX bit socket: 6, 8, 10, 12mm\*T-STAR T30, T40, T45, T50





1/4" + 3/8" - Socket set  
 1/4": 4 - 4,5 - 5 - 5,5 - 6 - 7 - 8 - 9 - 10 - 11 - 12 - 13mm  
 Deep: 4 - 4,5 - 5 - 5,5 - 6 - 7 - 8 - 9 - 10 - 11 - 12 - 13mm  
 E-STAR: E4, E5, E6, E7, E8, E10 \* Deep: E4, E5, E6, E7, E8, E10  
 HEX bit socket: 3, 4, 5, 6, 7, 8, 10mm  
 T-STAR: T8, T10, T15, T20, T25, T27, T30, T40  
 HOLEY T-STAR: TH8, TH10, TH15, TH20, TH25, TH27, TH30, TH40  
 5-STAR: TS10, TS15, TS20, TS25, TS27, TS30, TS40  
 Extension bar 50 + 100mm, FLEXIBLE BAR 150mm  
 Ratchet adaptor, Universal joint, Handle, Flexible handle  
 Sliding bar, Magnetic bit holder  
 Ratchet handle quick release 72 teeth/5°  
 3/8": 6, 7, 8, 9, 10, 11, 12, 13, 14, 15, 16, 17, 18, 19, 20, 21, 22mm  
 E-STAR: E8, E10, E11, E12, E14, E16, E18, E20  
 Adaptor 3/8" -> 1/4", Universal joint, Flexible handle  
 Sliding bar, Extension bar 75 + 150mm  
 Ratchet handle quick release



- double ball bearing rails
- complete opening drawers
- all drawers with rubber inlay
- patented internal locking system
- reinforced working table
- reinforced side panel
- big rollers d=125mm



**9918HQ TOOL CABINET** (670 x 460 x 965mm)  
 7 drawers (579 x 410 x 56mm), 1 drawer (579 x 410 x 123mm)  
 weight 74,0 kg



**Optional:**

